

331160产品爆炸图

Parts List

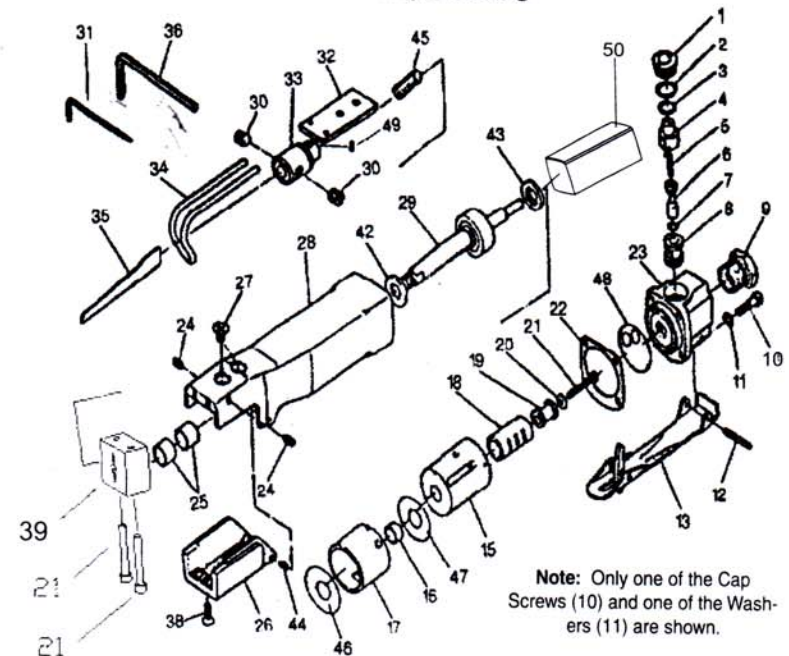
Part No.	Description	Qty.	Part No.	Description	Qty.
1	Valve Screw	1	26	Chuck Cover	1
2	O-ring	1	27	Screw	2
3	O-ring	1	28	Housing	1
4	Air Controller	1	29	Piston Assy.	1
5	Valve Spring	1	30	Set Screw	2
6	Valve Stem	1	31	Wrench (2mm)	1
7	O-ring	1	32	Guide Plate	1
8	Valve Bushing	1	33	Blade Chuck	1
9	Air Inlet	1	34	Blade Guard (long and short)	2
10	Cap Screw	4	35	Blade	2
11	Washer	4	36	Wrench (4mm)	1
12	Lever Pin	1	38	Screw	1
13	Throttle Lever	1	39	Blade Guide	2
15	Valve Case	1	42	Front Bumper	1
16	Bushing	1	43	Rear Bumper	1
17	Cylinder	1	44	Pin	2
18	Valve Sleeve	1	45	Spring	1
19	Actuator Valve	1	46	Packing	1
20	Washer	1	47	Packing	1
21	Cap Screw	2	48	Packing	1
22	Gasket	1	49	Set Screw	1
23	Valve Block	1	50	Rubber Grip	1
24	Set Screw	2			
25	Bushing	2			

PLEASE READ THE FOLLOWING CAREFULLY

THE MANUFACTURER AND/OR DISTRIBUTOR HAS PROVIDED THE PARTS DIAGRAM IN THIS MANUAL AS A REFERENCE TOOL ONLY. NEITHER THE MANUFACTURER NOR DISTRIBUTOR MAKES ANY REPRESENTATION OR WARRANTY OF ANY KIND TO THE BUYER THAT HE OR SHE IS QUALIFIED TO MAKE ANY REPAIRS TO THE PRODUCT OR THAT HE OR SHE IS QUALIFIED TO REPLACE ANY PARTS OF THE PRODUCT. IN FACT, THE MANUFACTURER AND/OR DISTRIBUTOR EXPRESSLY STATES THAT ALL REPAIRS AND PARTS REPLACEMENTS SHOULD BE UNDERTAKEN BY CERTIFIED AND LICENSED TECHNICIANS AND NOT BY THE BUYER. THE BUYER ASSUMES ALL RISK AND LIABILITY ARISING OUT OF HIS OR HER REPAIRS TO THE ORIGINAL PRODUCT OR REPLACEMENT PARTS THERETO, OR ARISING OUT OF HIS OR HER INSTALLATION OF REPLACEMENT PARTS THERETO.

NOTE: Some parts are listed and shown for illustration purposes only and are not available individually as replacement parts.

Assembly Drawing



LIMITED 30DAYS EXCHANGE & 90DAYS REPAIR WARRANTY

Ningbo Xiangrui Air Tools Co.,Ltd makes every effort to assure that its products meet high quality and durability standards, and warrants to the original purchaser that this product is free from defects in materials and workmanship for the period of 30 days from the date of purchase (90days for repairing). This warranty does not apply to damage due directly or indirectly, to misuse, abuse, negligence or accidents, repairs or alterations outside our facilities, normal wear and tear, or to lack of maintenance. We shall in no event be liable for death, injuries to persons or property, or for incidental, contingent, special or consequential damages arising from the use of our product. Some states do not allow the exclusion or limitation of incidental or consequential damages, so the above limitation of exclusion may not apply to you. **THIS WARRANTY IS EXPRESSLY IN LIEU OF ALL OTHER WARRANTIES, EXPRESS OR IMPLIED, INCLUDING THE WARRANTIES OF MERCHANTABILITY AND FITNESS.**

To take advantage of this warranty, the product or part must be returned to us with transportation charges prepaid. Proof of purchase date and an explanation of the complaint must accompany the merchandise. If our inspection verifies the defect, we will either repair or replace the product at our election or we may elect to refund the purchase price if we cannot readily and quickly provide you with a replacement. We will return repaired products at our expense, but if we determine there is no defect, or that the defect resulted from causes not within the scope of our warranty, then you must bear the cost of returning the product.

This warranty gives you specific legal rights and you may also have other rights which vary from state to state.